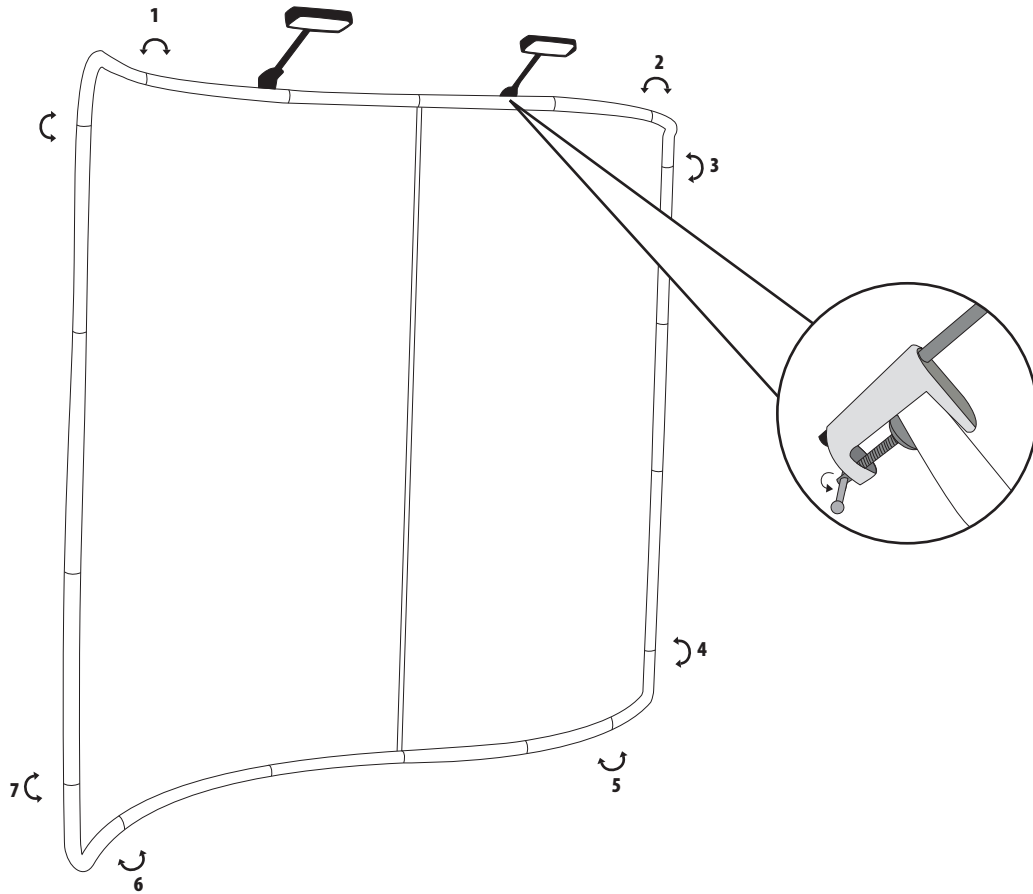
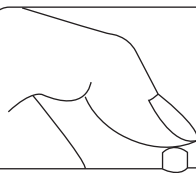


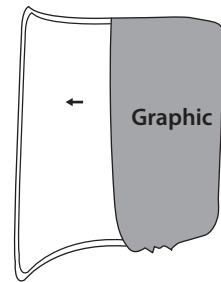
INSTALLATION STEPS FOR ECOTUBE SERPENTINE DISPLAY



CONNECT



PRESS



CAUTION:
PLEASE READ THE INSTRUCTIONS BEFORE INSTALLING PRODUCTS