

Magneto Pop-Up Display Setup Instructions

Frame Assembly

1

Prepare frame for assembly by locating the purple hooks on top of the frame.

2

Stretch frame to size, snapping magnetic locking arms together.

3

Attach magnetic channel bars to circular magnets. *To prevent loss of polarity, do not slide the small circular magnet along the flexible strip magnet.

4

Frame is assembled.

Graphic Application

1

Attach panels starting with left curved endcap panel. Hook panel on purple hooks on front and back of frame. Attach rest of panel to magnetic channel bar.

2

Attach graphic panels from left to right. Hook panels on purple hooks and apply panel to the magnetic channel bar.

3

Continue to attach remaining panels by hooking to purple hooks. Make sure all panel edges align with middle line on channel bars.

4

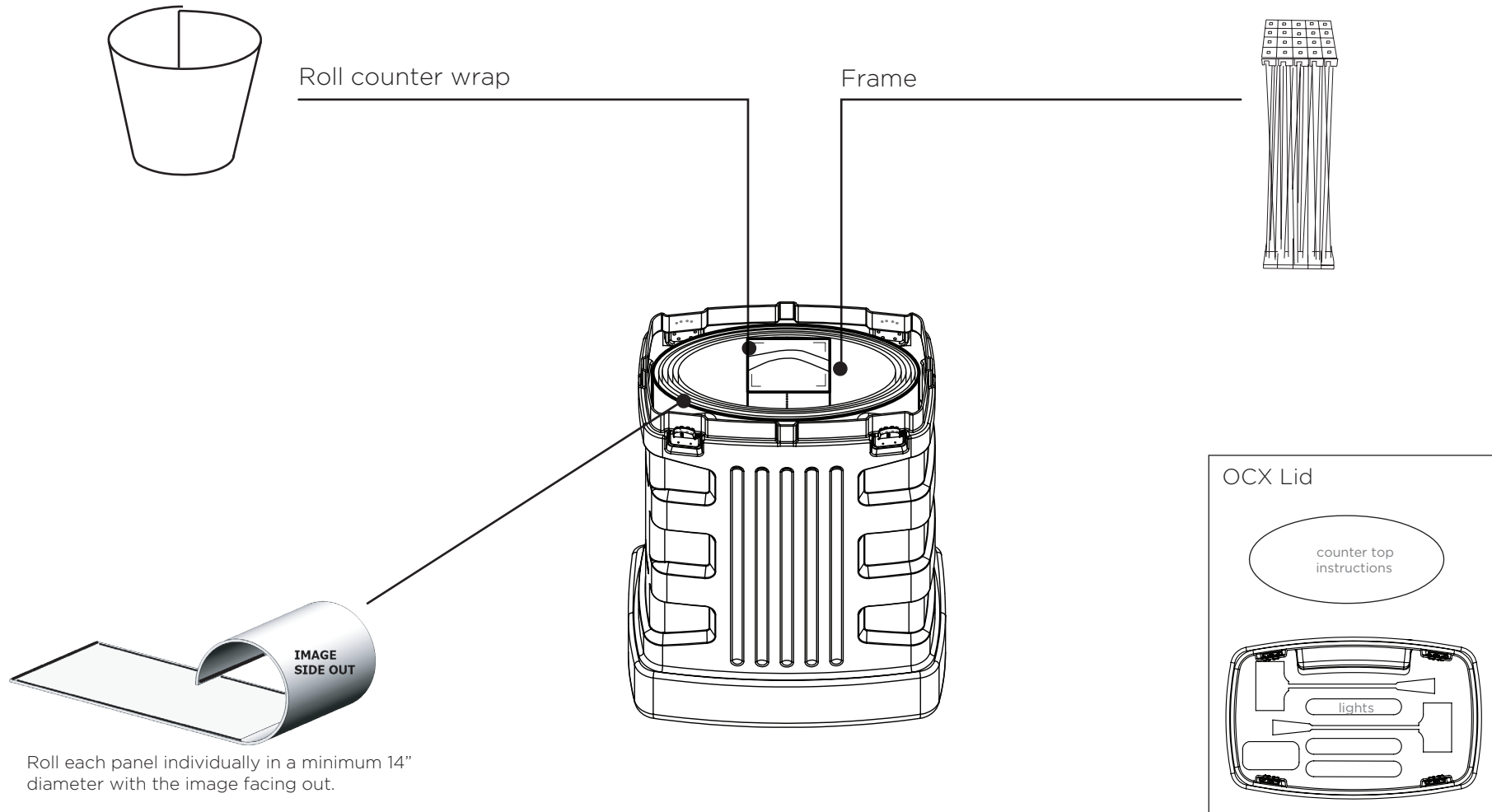
Graphic application is complete.

Stabilizer Feet Application

(Straight Frames Only)

Questions or concerns?
Call us at 800.605.6179 or email info@tradeshowdirect.com

Packing Instructions



Packing Instructions

1. Roll counter wrap with graphic facing out and place inside the case against the outside wall.
2. **Individually** roll panels and place inside case until all panels are in the case and against the outside wall.
Roll Panels Graphic Side Out!
3. Pack channel bar into the storage bag. Then release magnetic locking arms to collapse the frame.
4. Pack frame and bag in the center.
5. Counter top snaps inside lid holding the lights in place.
*Allow lights to cool before packing.