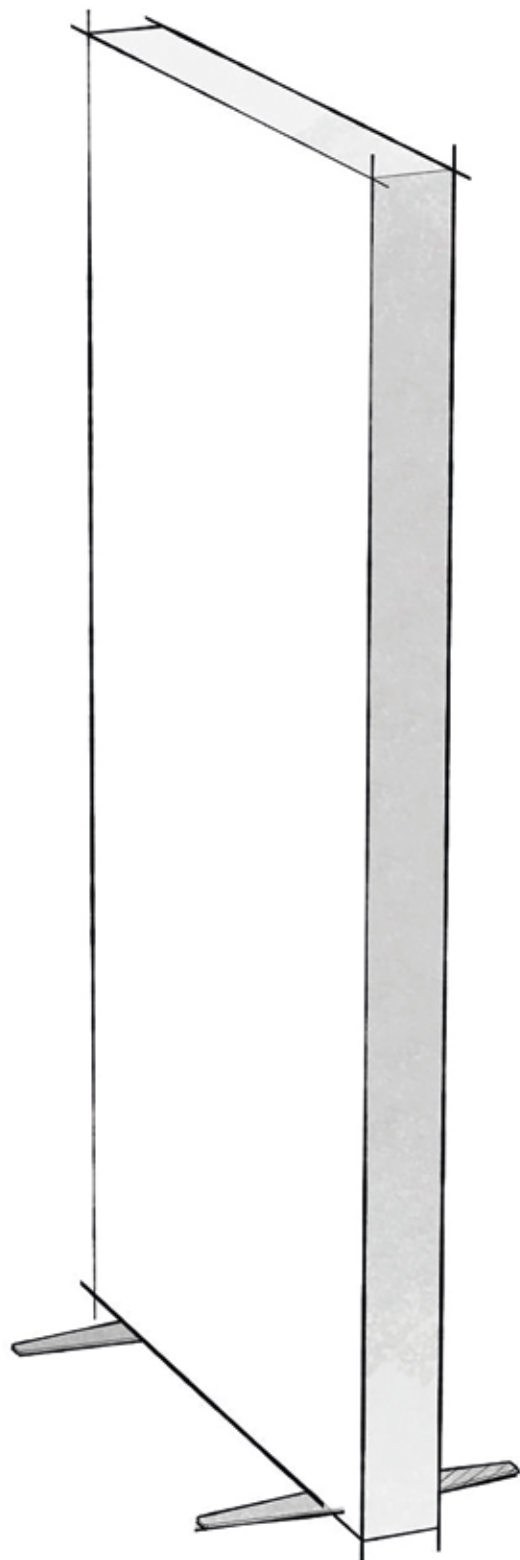


panoramic[®] lightbox


double-sided frame



INSTRUCTIONS FOR OPTIMAL USAGE OF PANORAMIC LIGHTBOX


ASSEMBLY INSTRUCTIONS

Thoroughly read the set-up instructions and examine the diagrams before starting set-up.

 Make sure to set-up on a clear, flat space.

Take caution when handling the aluminum profiles as the ends may be sharp.

Do not place the graphic on an unclean surface.

 Before plugging the lightbox into the power outlet, make sure that all of the internal plugs are connected and the lightbox is set-up correctly.

INSTRUCTIONS FOR USE

Place the lightbox on a dry, flat surface.

Do not expose the lightbox to excessive heat.

The lightbox is designed exclusively for indoor use.

The voltage going to the power supply must be between 100 and 240V AC.

Make sure the cord for the power supply is free from damage.

Insert the male IEC plug on the power cord into the IEC female socket on the transformer before plugging the power cord into the wall outlet.

Only use the adaptor and power cord included with the lightbox.

IF THE LIGHTBOX DOES NOT LIGHT UP

Check that the adaptor is well-connected and plugged in.

Check that the plugs at each corner of the lightbox are well-connected.

Contact your reseller if the problem persists.

If the lightbox or one of its components has come detached and/or is damaged:

Never try to repair the lightbox yourself.

If the lightbox does not light up as a result or is no longer usable, contact your reseller.

For any issues, please contact your reseller.

GRAPHIC CLEANING

Never wash the graphic in the laundry machine.

Spot-clean the graphic with a white rubber eraser or with a damp sponge.

TECHNICAL SPECIFICATIONS

Model: Double-sided

Power capacity (transformer): 100-240 V AC, 50/60Hz.

Power supply (lightbox) out: 24 V DC.

MTBF (estimated lifetime): 20 000 hours.

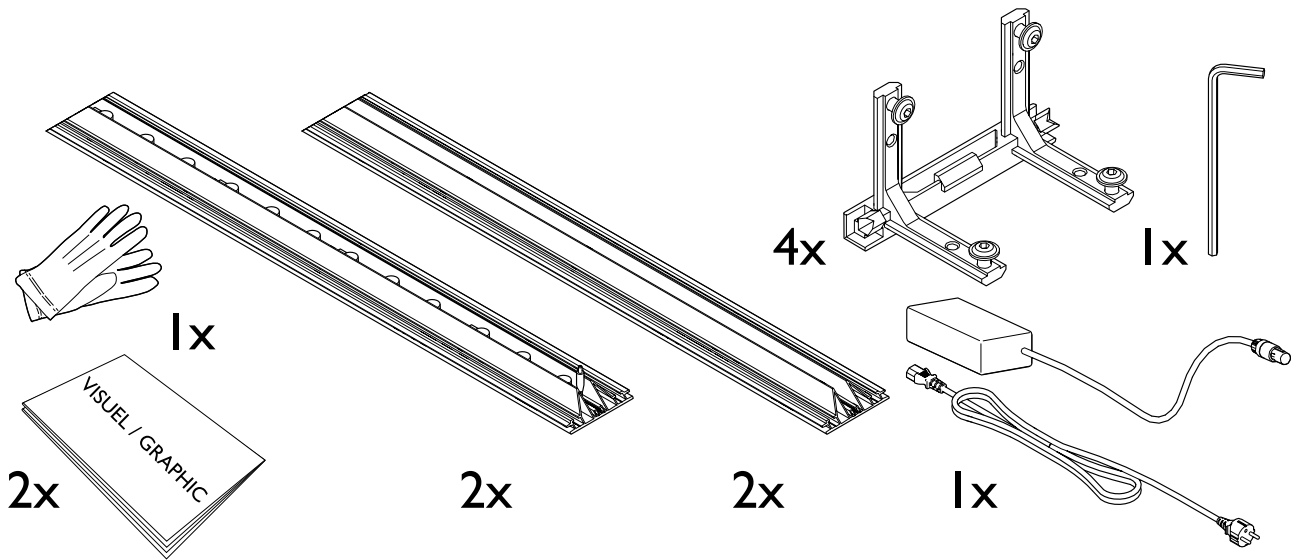
Light source: High performance Cree® LEDs 6500 K (±500 K).

Transformer strength: 60 to 150 W (according to the size of the lightbox).

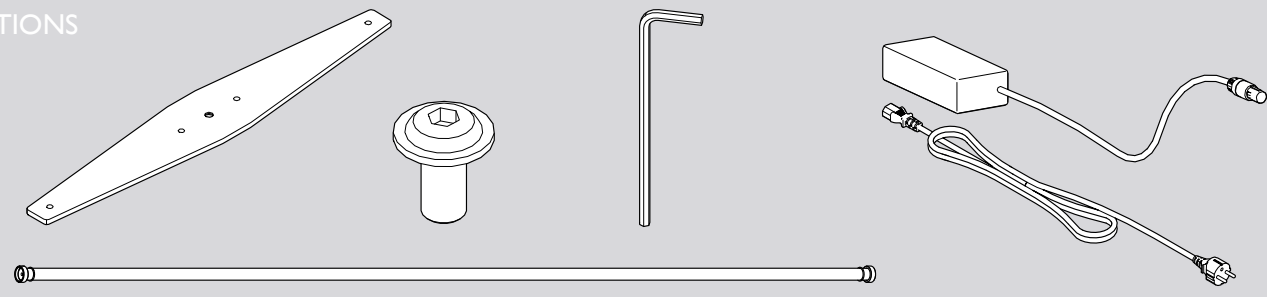
Depth of the frame: 12 cm / 4.72".

CE, ROHS, and UL Certified.

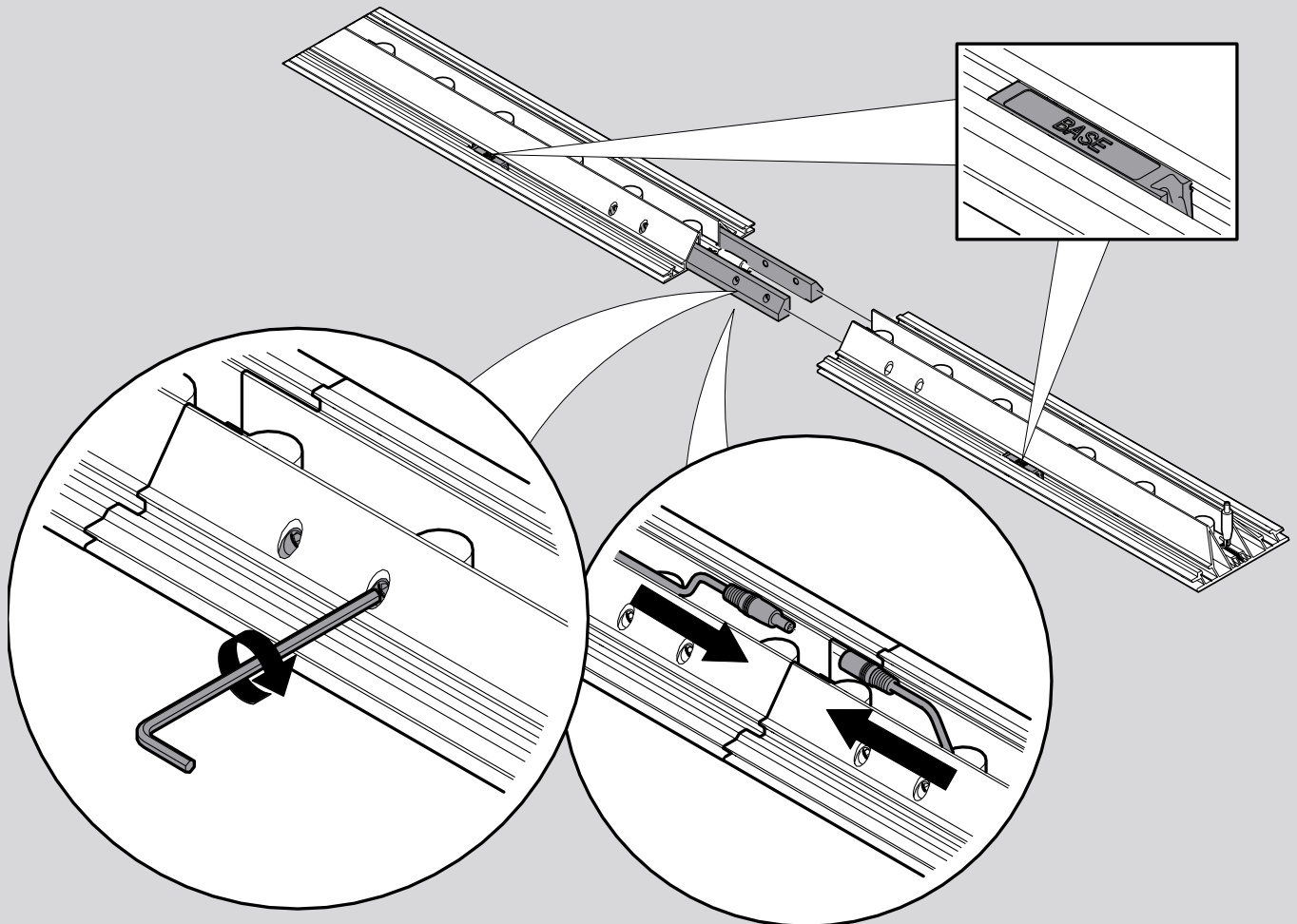
Fire rating: B1.



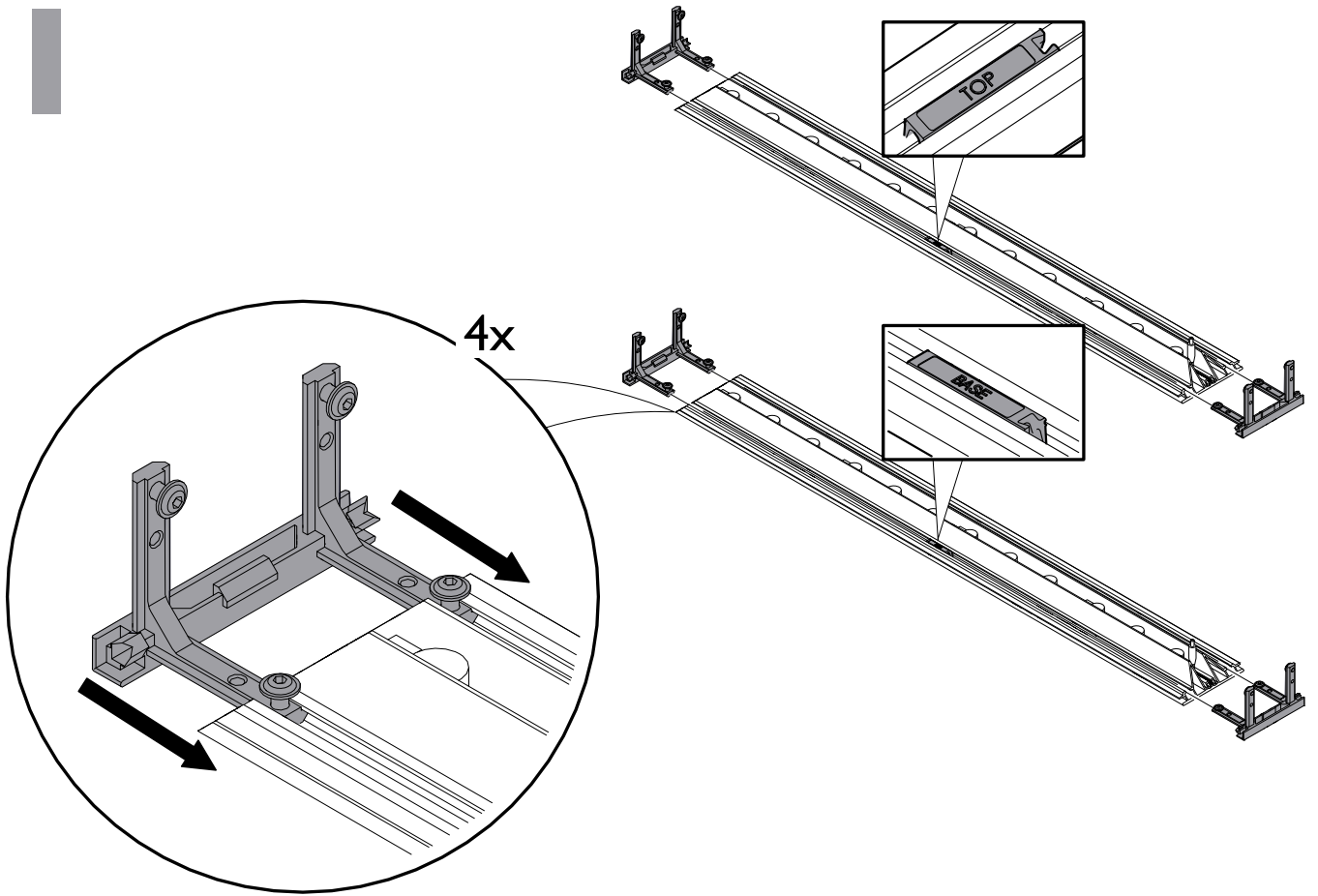
OPTIONS



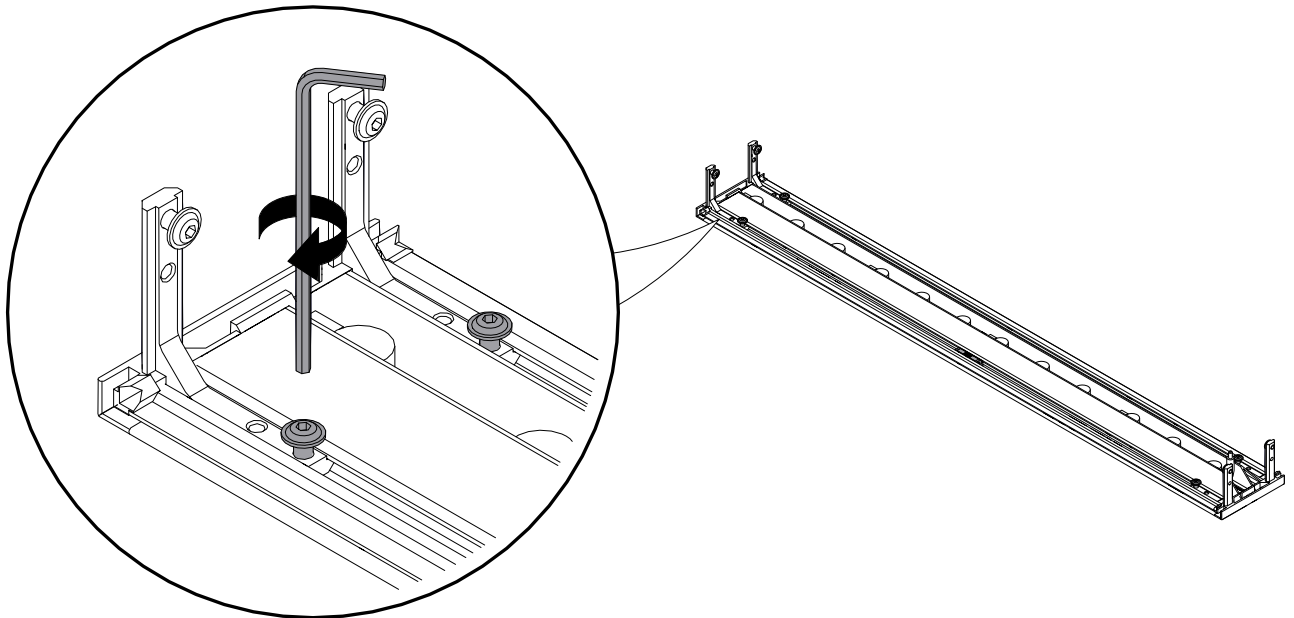
PORTABLE



1

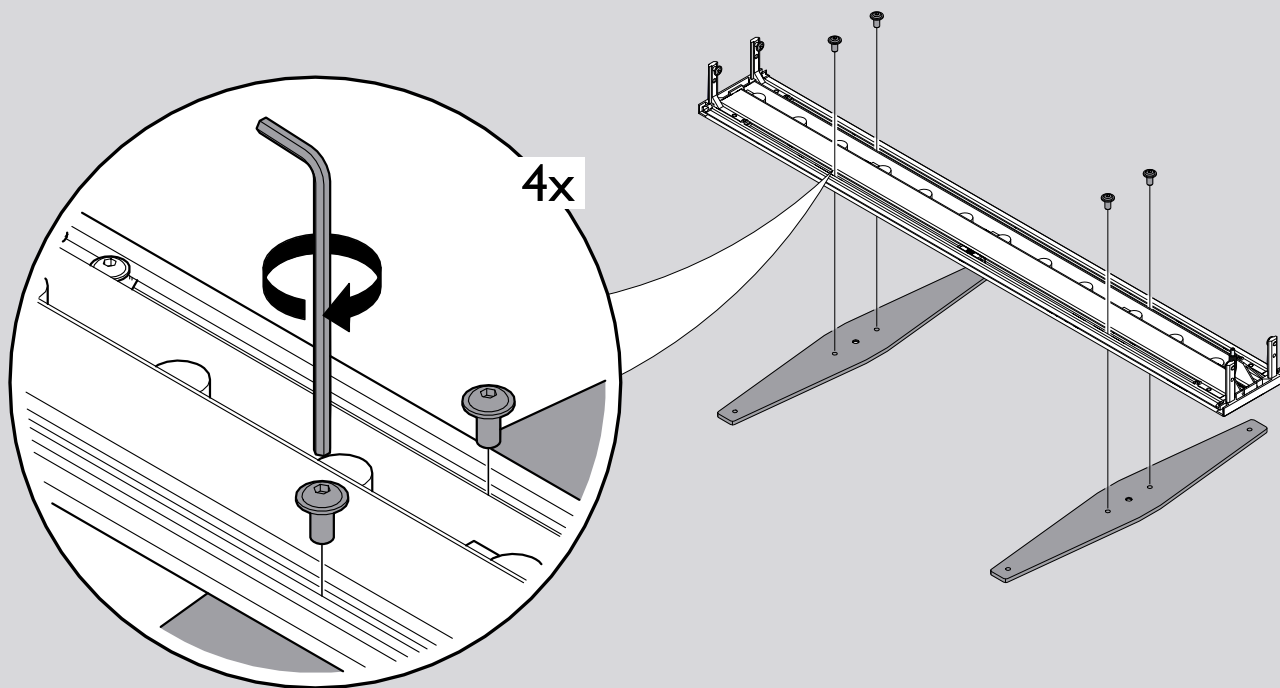


2

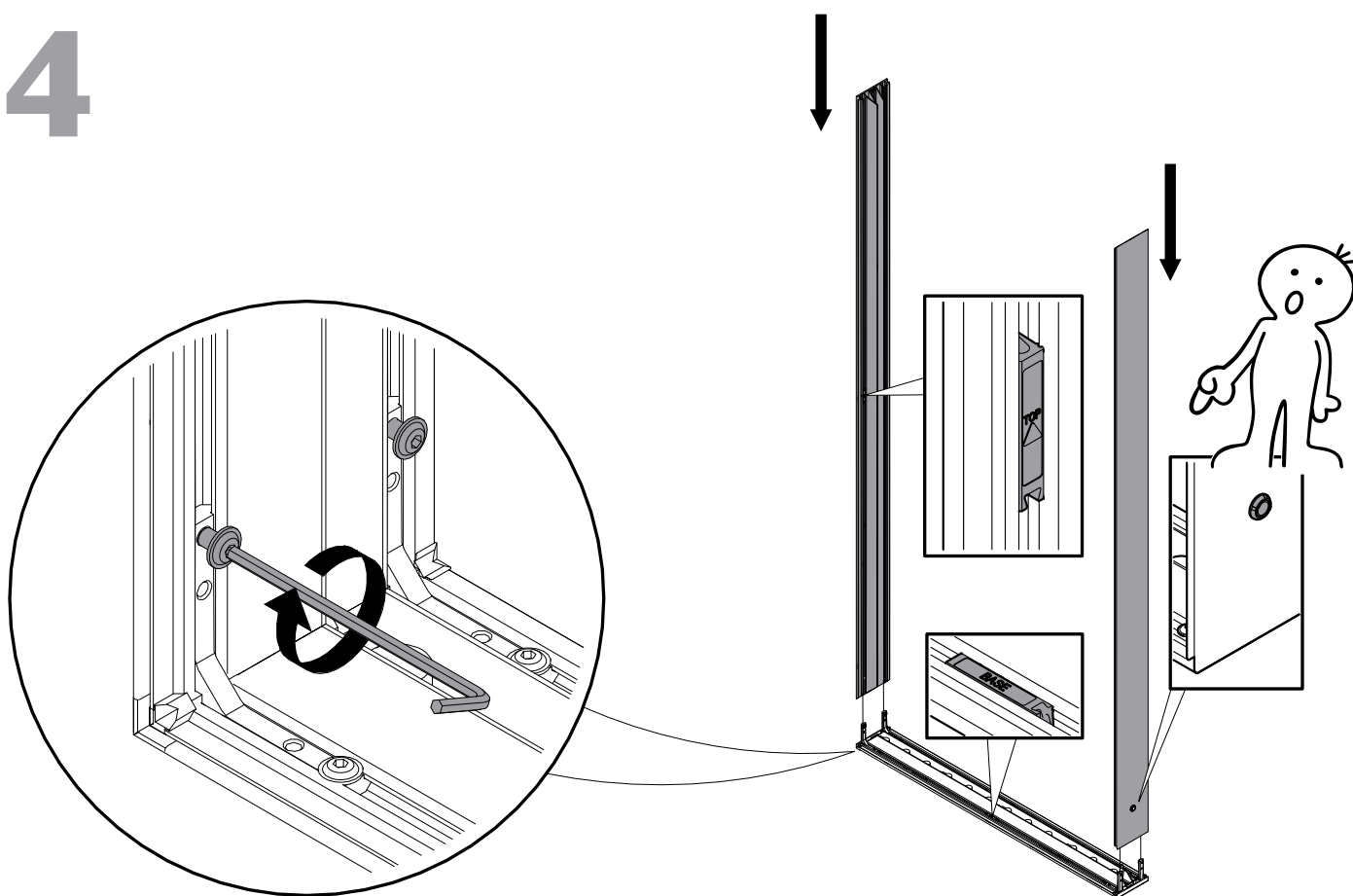


3

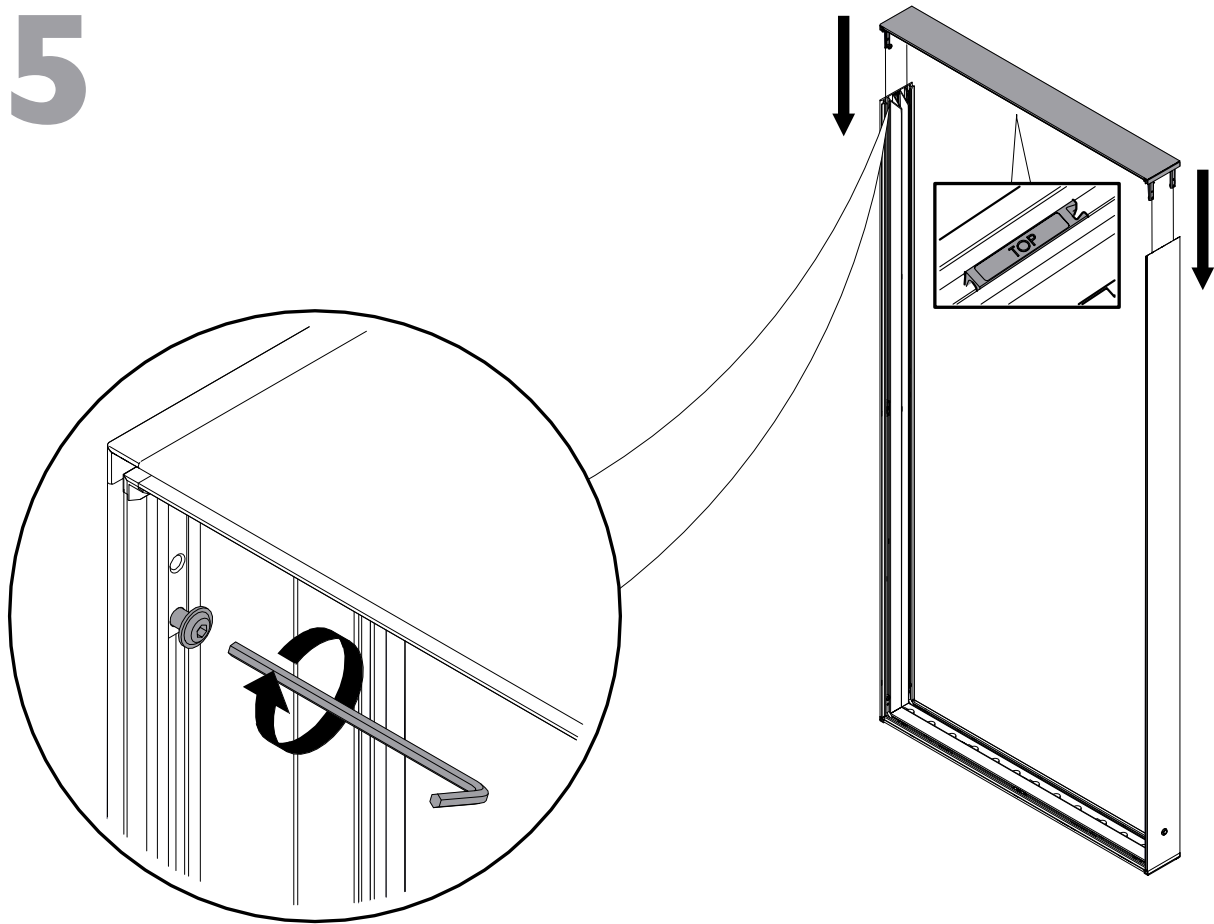
OPTION



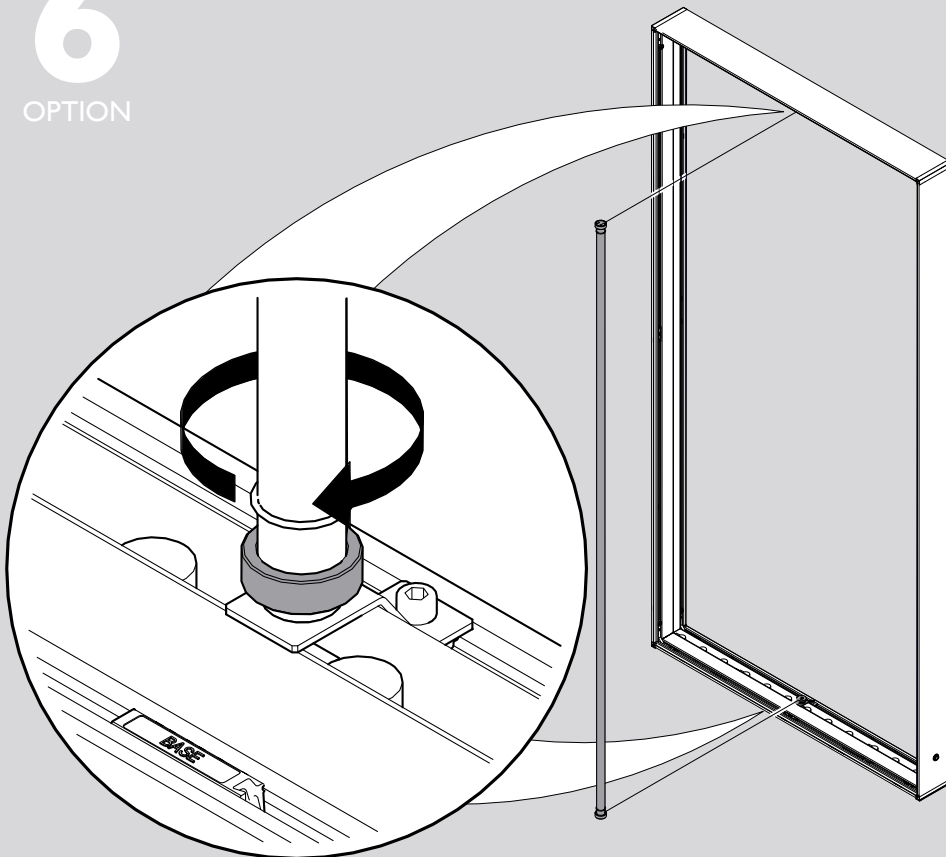
4



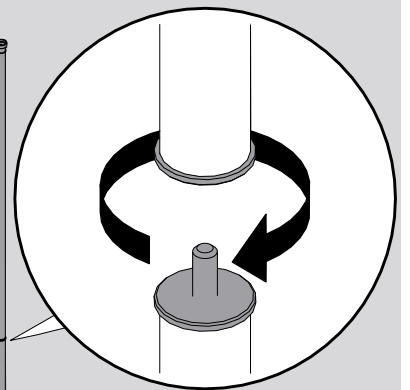
5



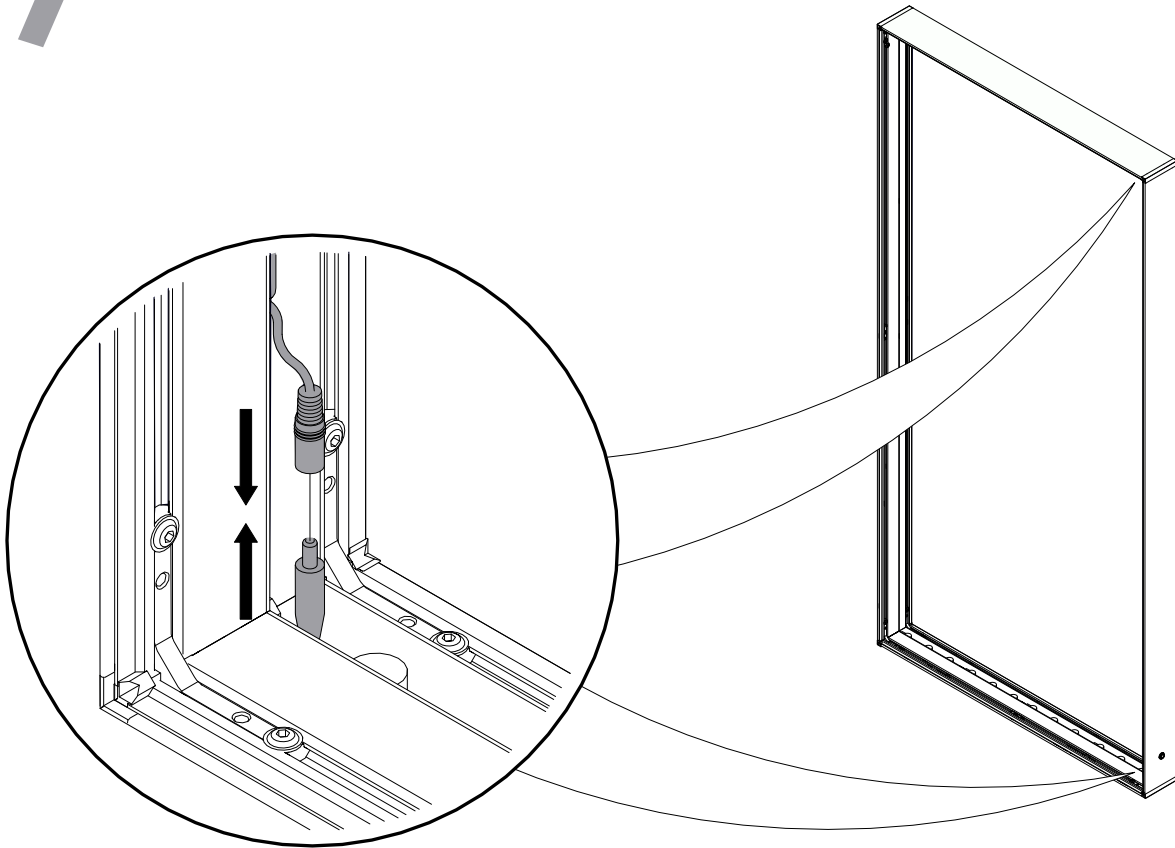
6
OPTION



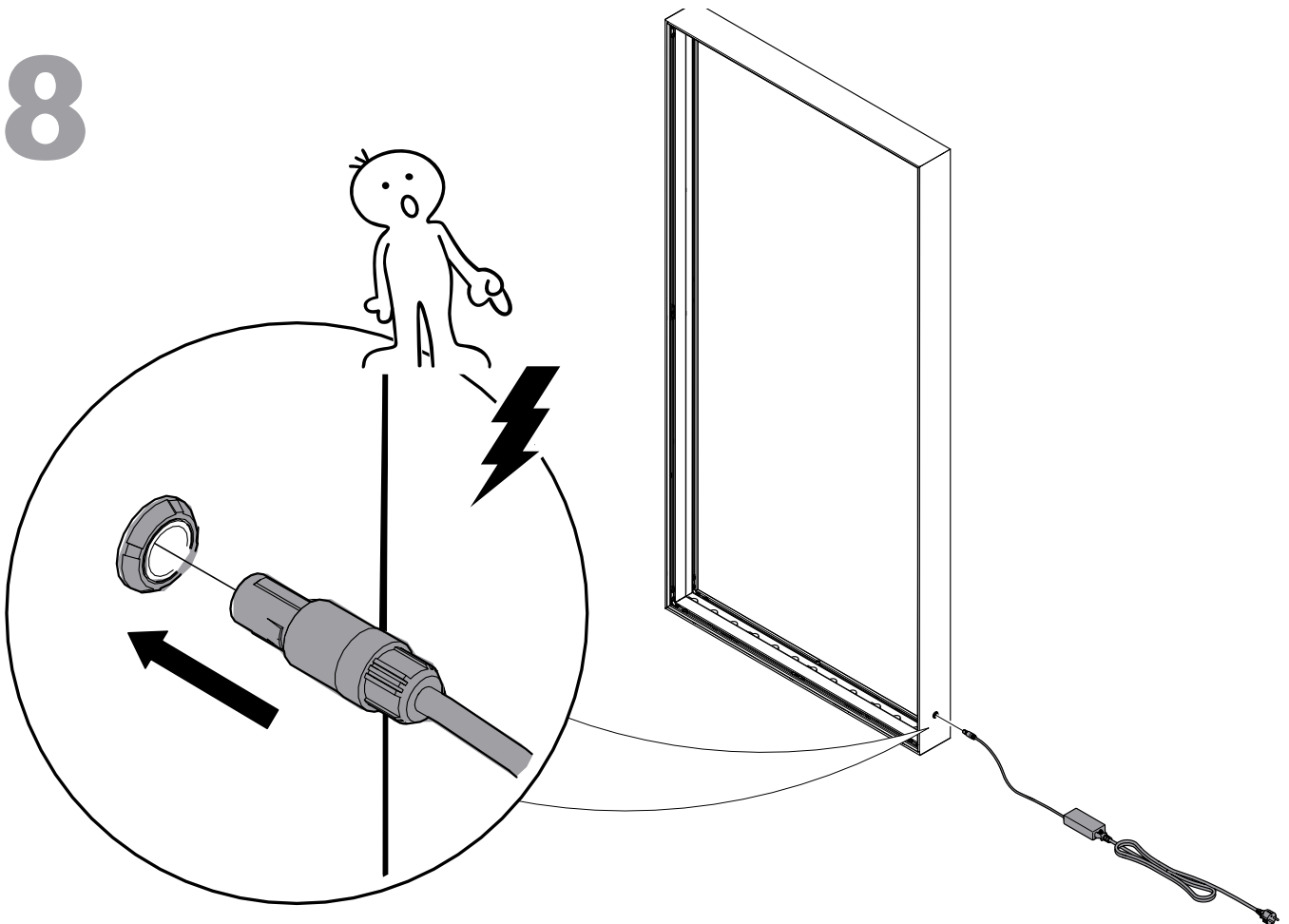
6-1
NOMADE



7



8



9

