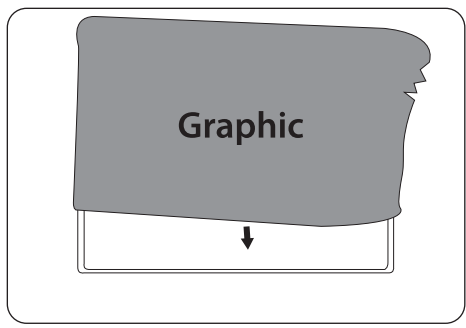
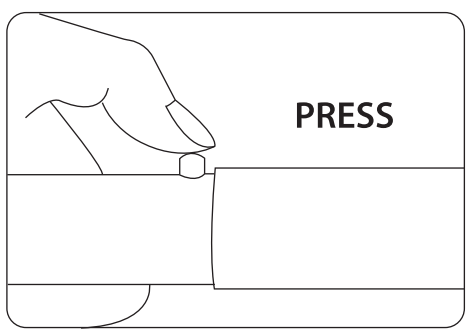
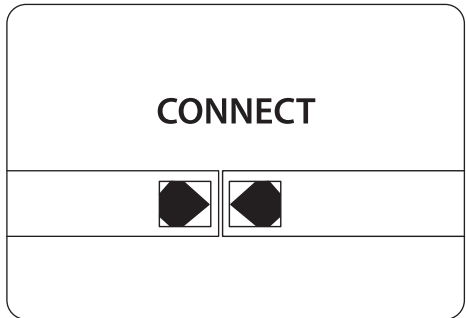
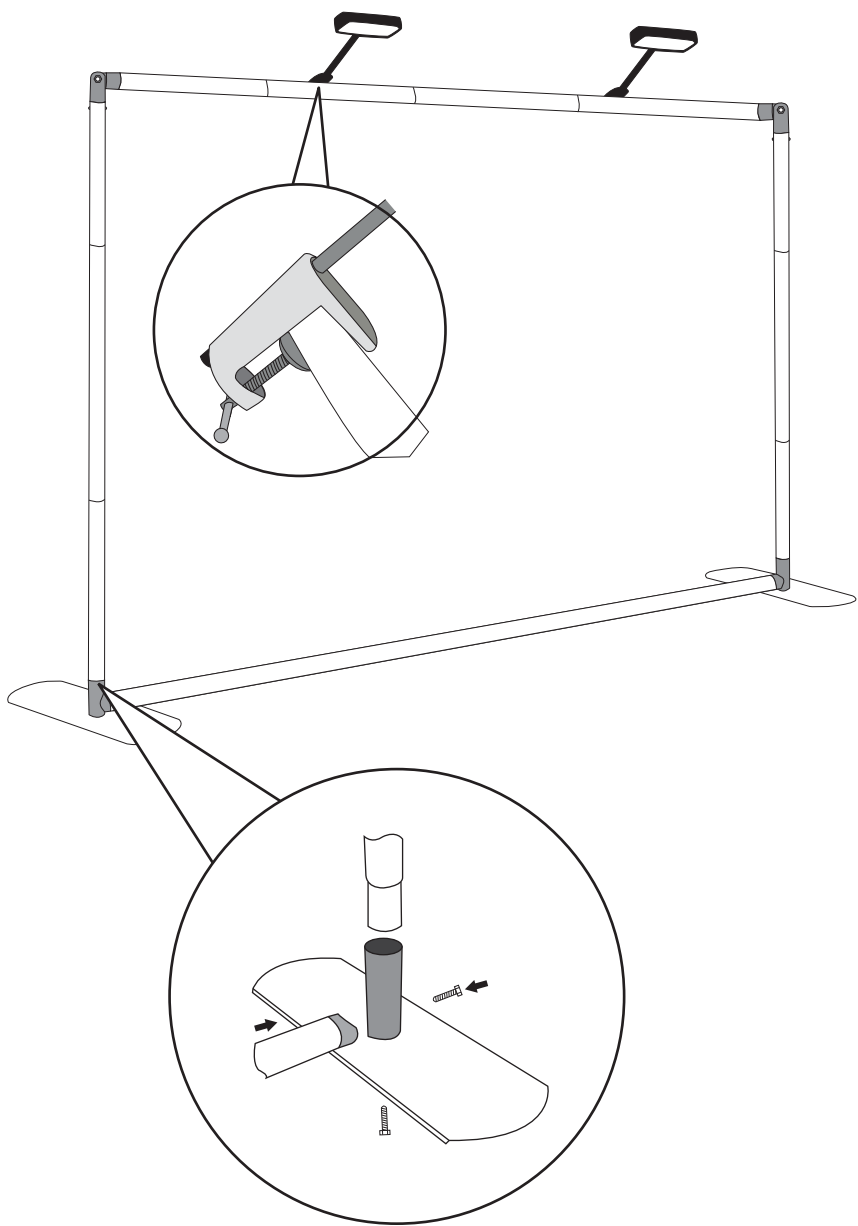


# INSTALLATION STEPS FOR STRAIGHT ECOTUBE DISPLAY



 **CAUTION:**  
PLEASE READ THE INSTRUCTIONS BEFORE INSTALLING PRODUCTS