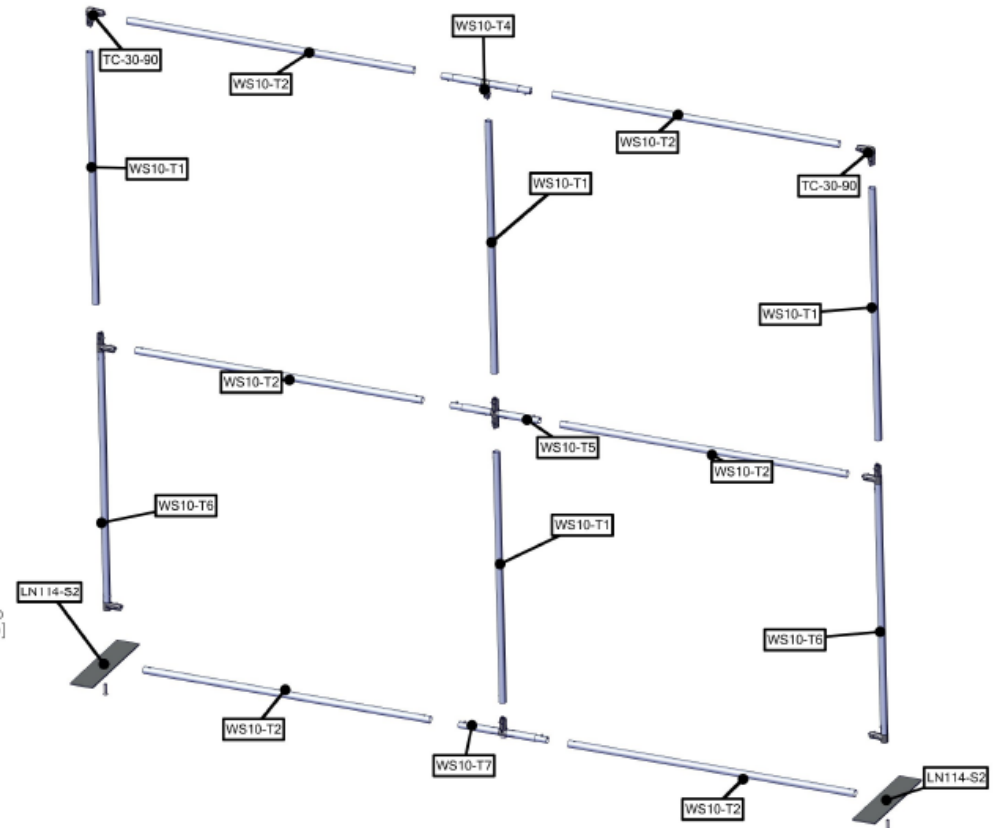
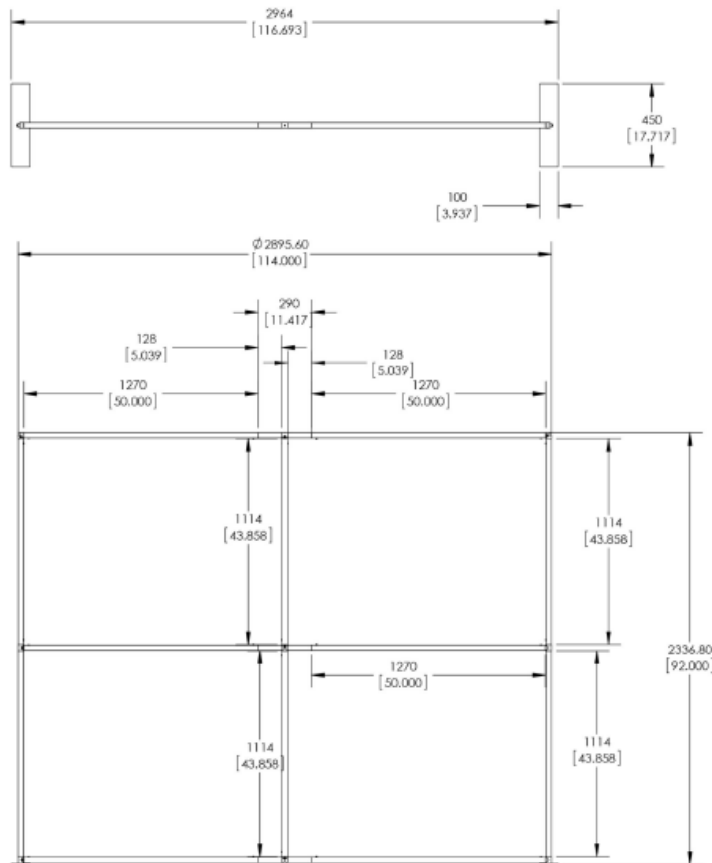


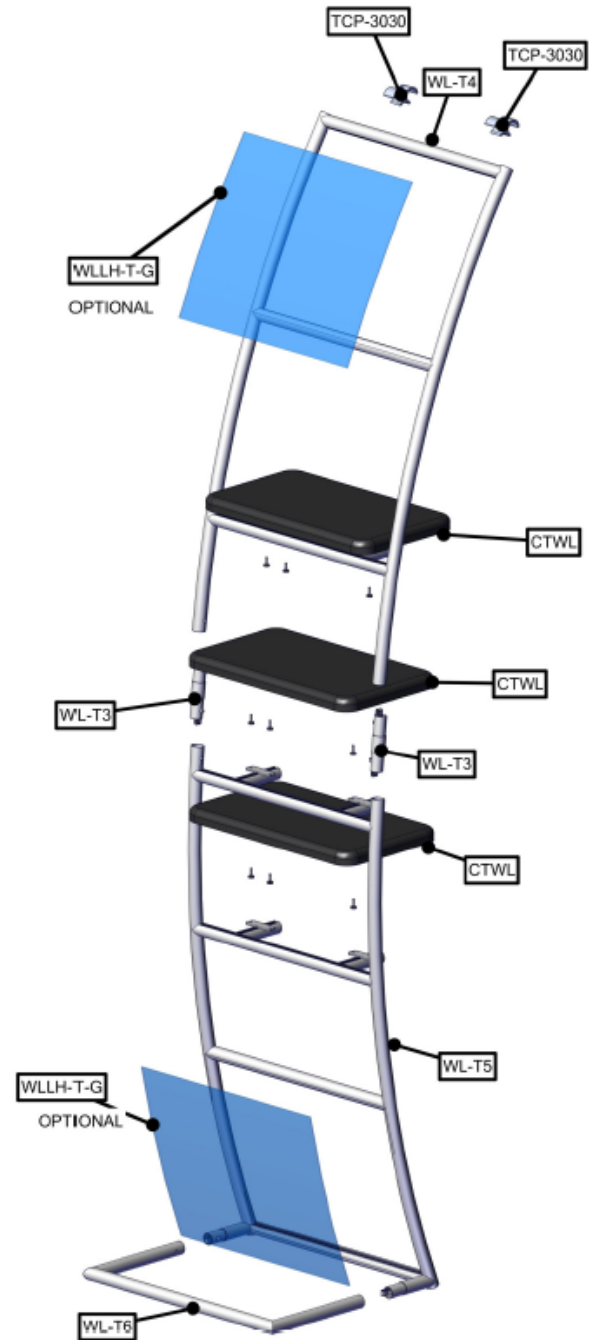
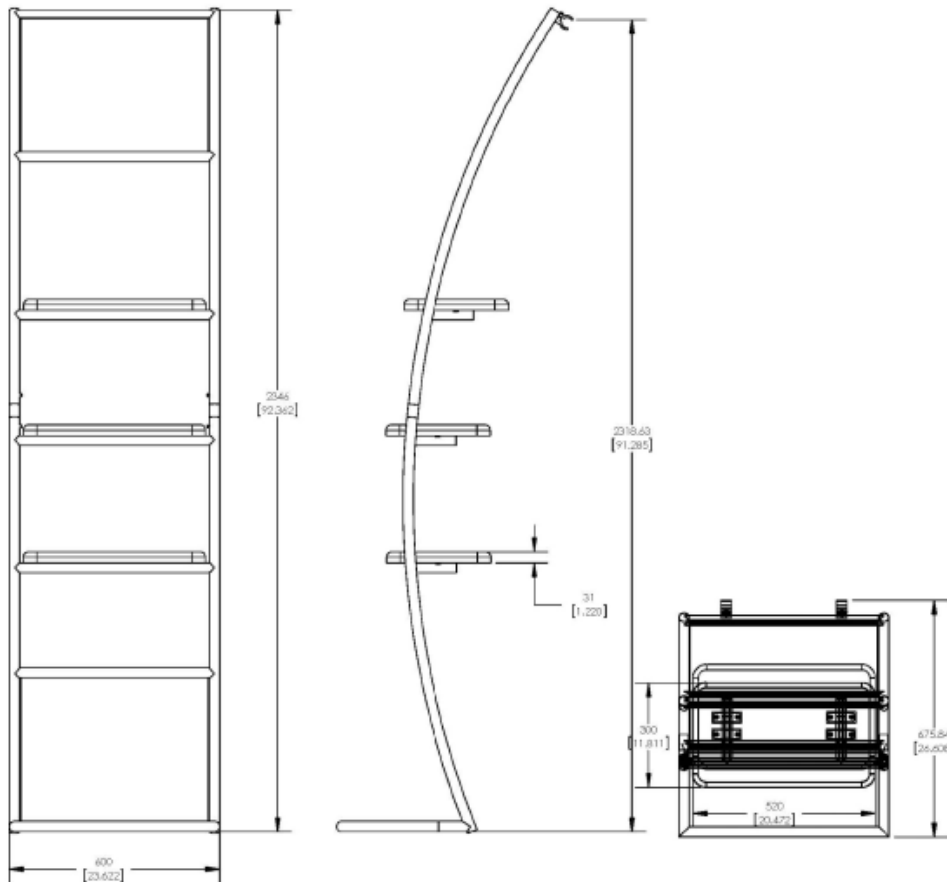
Setup Instructions for 10' Straight Master Tube Display with Square Corners (1) Single-Sided

Parts Included – Backwall					
Part Label	Qty	Part Code			
5MM STEEL BASE STYLE 2 FOR LINEAR	x2	LN114-S2			
90 DEGREE ELBOW JOINT FOR 30MM TUBING	x2	TC-30-90			
1114MM X 30MM TUBE	x4	WS10-T1			
1270MM X 30MM TUBE	x6	WS10-T2			
(2) 128MM TUBES SWAGED WITH PART TC-30-T	x1	WS10-T4			
(2) 128MM TUBES SWAGED WITH PART TC-30-X	x1	WS10-T5			
1114MM X 30MM TUBE WITH TC-30-T AND TC-30-90B	x2	WS10-T6	(2) 128MM TUBES SWAGED WITH PART TC-30-T	x1	WS10-T7
(2) 128MM TUBES SWAGED WITH PART TC-30-T	x1	WS10-T7			

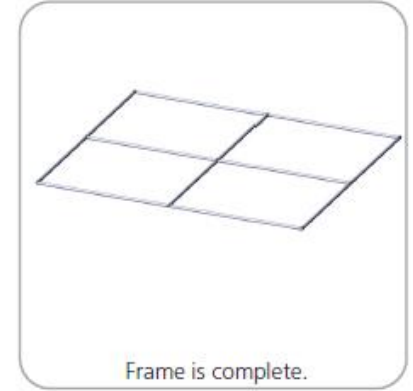
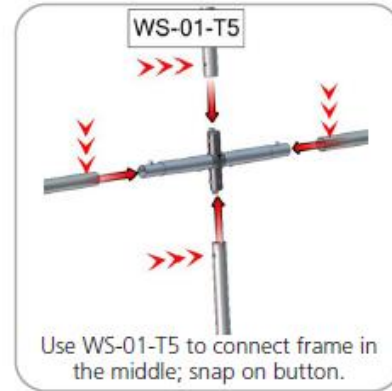
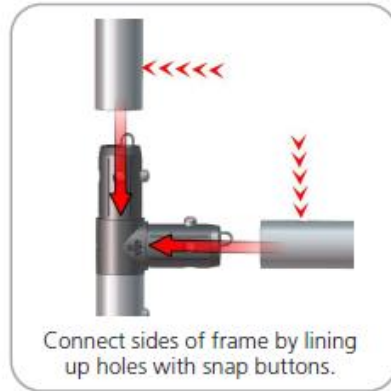
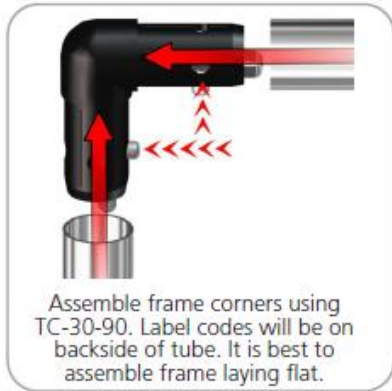


Parts Included – Ladder

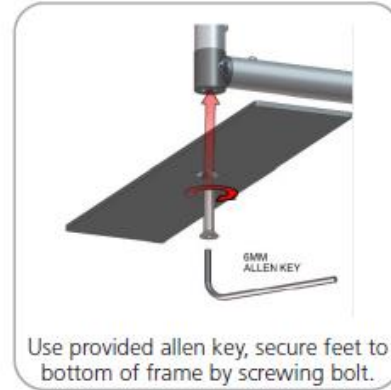
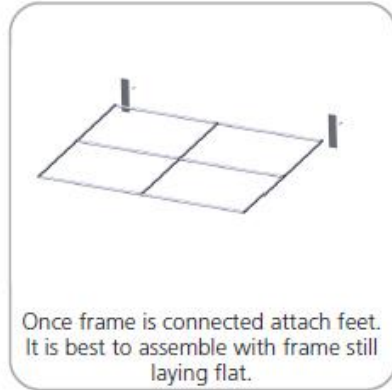
Part Label	Qty	Part Code
520 X 300 X 30 COUNTER	x3	CTWL
PARALLEL TUBE CLAMP FOR 30MM TUBES	x2	TCP-3030
30MM TUBE SECTION	x2	WL-T3
TOP SINTRA GRAPHICS	x2	WLLH-T-G
30MM TUBE SECTION	x1	WL-T5
30MM TUBE SECTION	x1	WL-T6
30MM TUBE SECTION	x1	WL-T4



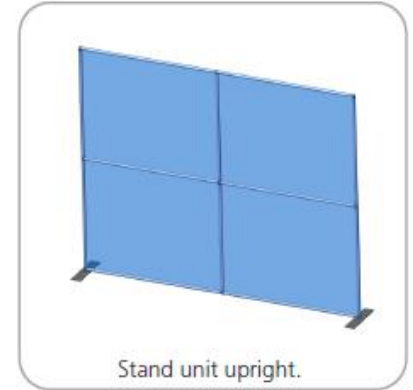
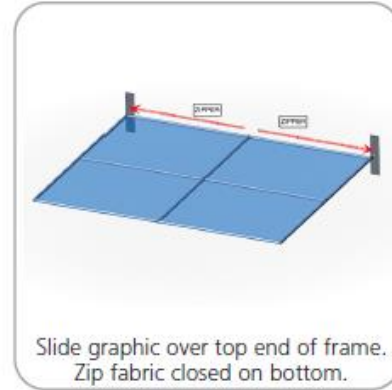
STEP 1: ASSEMBLE FRAME



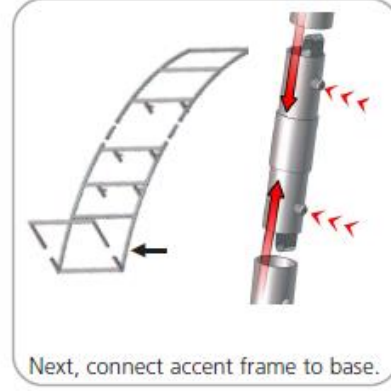
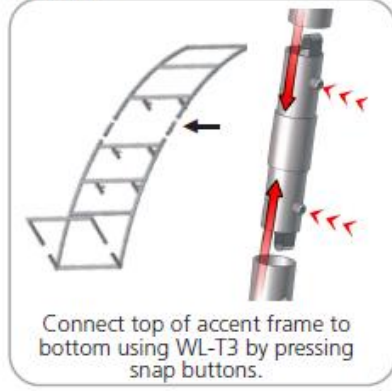
STEP 2: ATTACH FEET



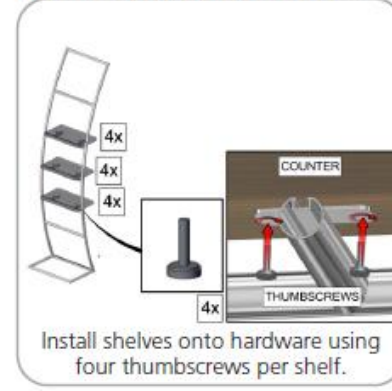
STEP 3: ATTACH GRAPHIC



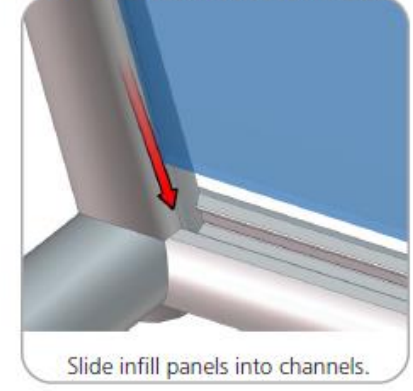
STEP 4: ASSEMBLE LADDER FRAME



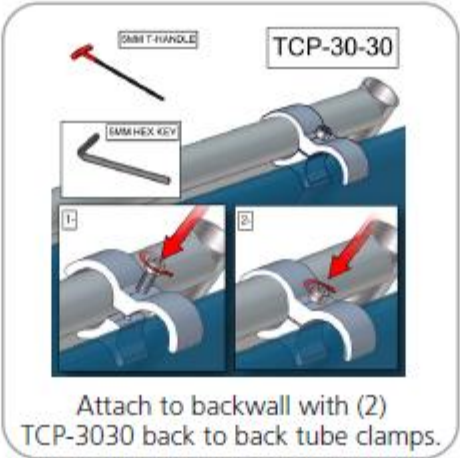
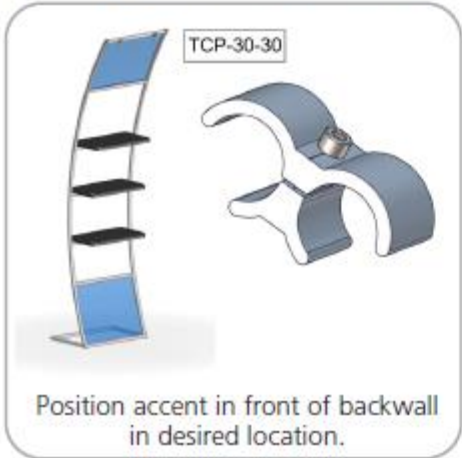
STEP 5: ATTACH SHELVES



STEP 6: ATTACH GRAPHICS

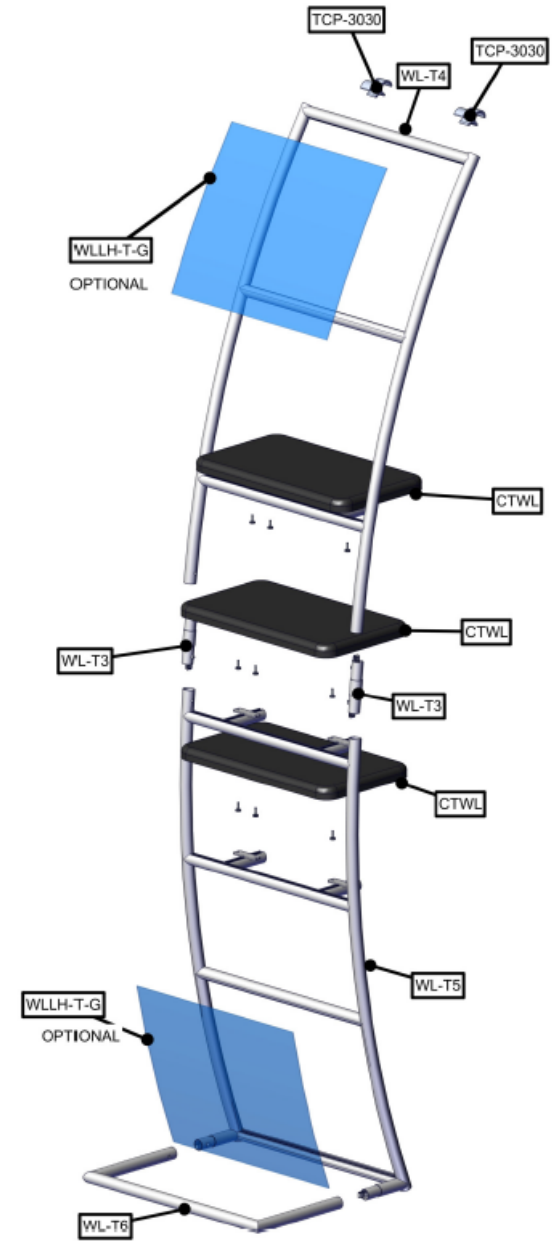
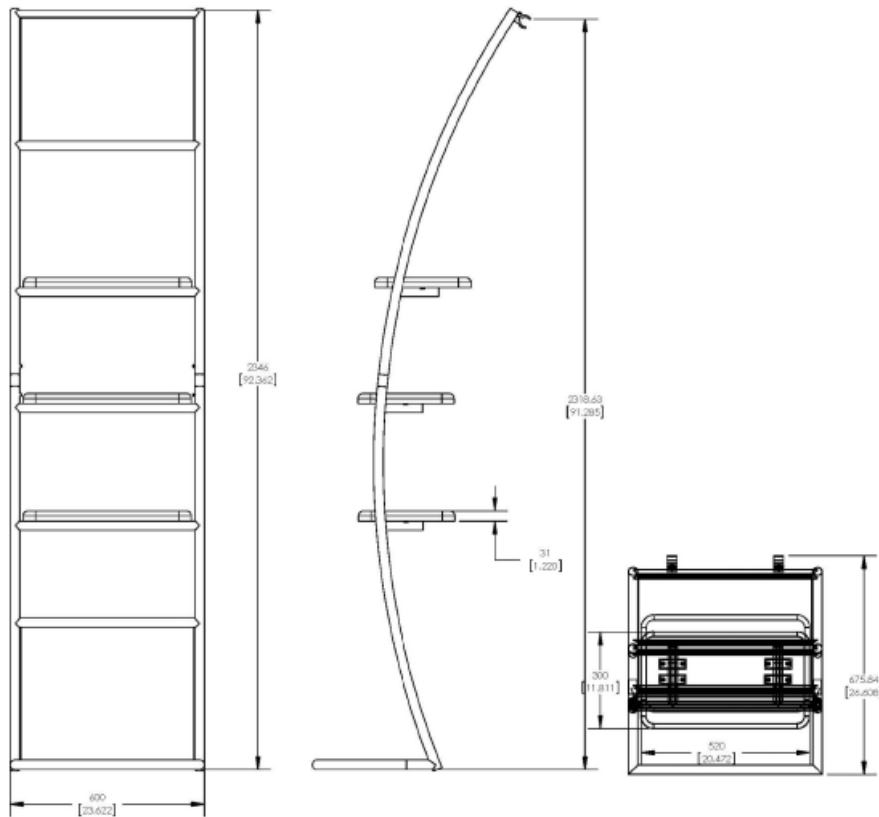


**STEP 7: ATTACH TO
BACKWALL WITH CLAMPS**

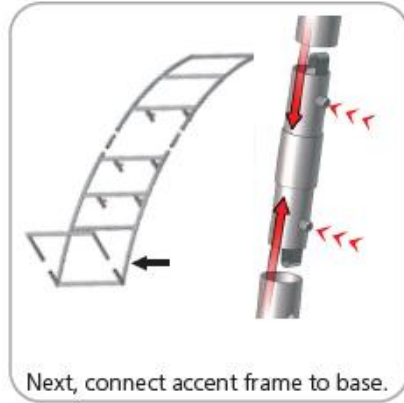
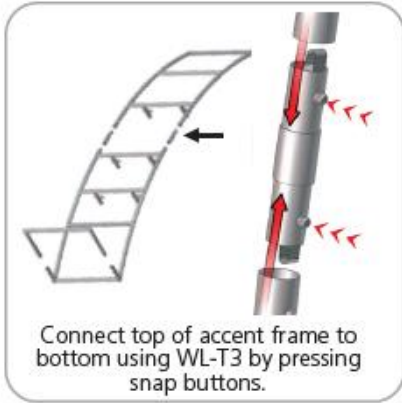


Setup Instructions for Waterfall Accent

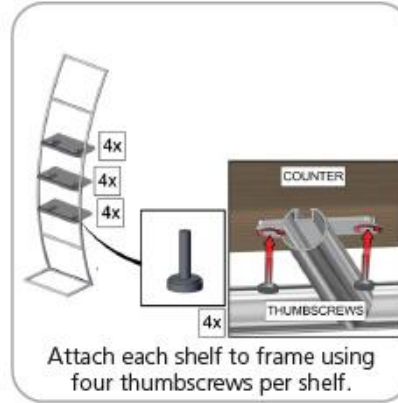
Parts Included – Ladder		
Part Label	Qty	Part Code
520 X 300 X 30 COUNTER	x3	CTWL
PARALLEL TUBE CLAMP FOR 30MM TUBES	x2	TCP-3030
30MM TUBE SECTION	x2	WL-T3
TOP SINTRA GRAPHICS	x2	WLLH-T-G
30MM TUBE SECTION	x1	WL-T5
30MM TUBE SECTION	x1	WL-T6
30MM TUBE SECTION	x1	WL-T4



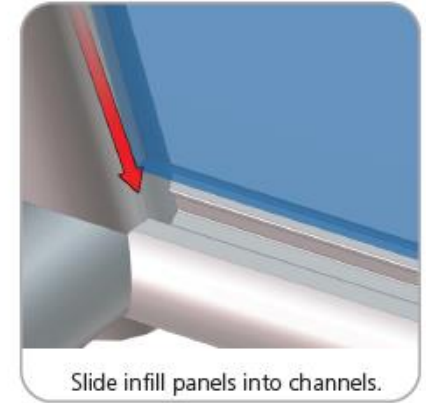
STEP 1: ASSEMBLE LADDER FRAME



STEP 2: ATTACH SHELVES



STEP 3: ATTACH GRAPHICS



STEP 4: ATTACH TO BACKWALL WITH CLAMPS

